
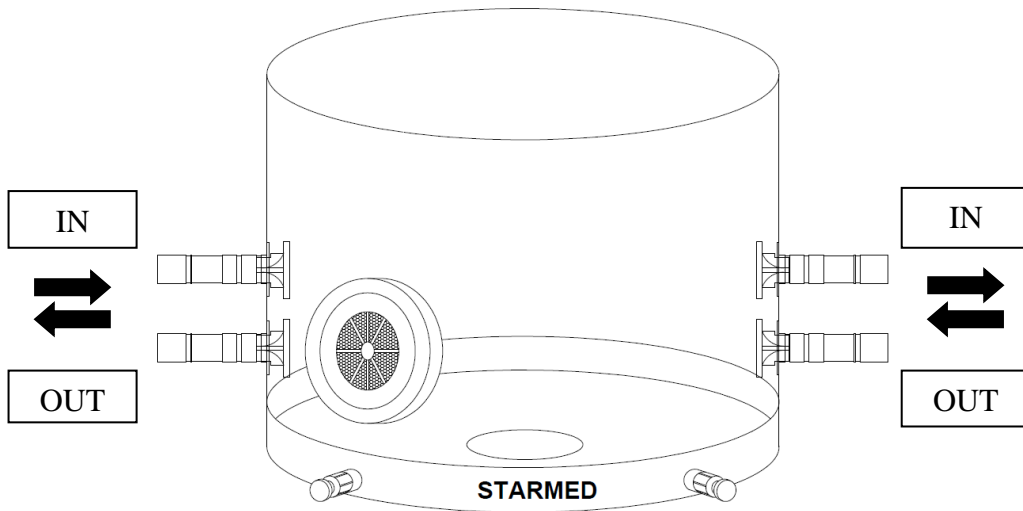


**STARMed**

 Intersurgical SpA – Via Morandi, 12 - 41037 Mirandola (MO) Italy  
Tel. +39 0535 610131 - Fax +39 0535 610310

**it** CASCHI CON ACCESSI MULTIPLI    **en** HELMETS WITH MULTI-CONNECTORS


Istruzioni per l'uso / Instructions for use



NOTA: immagine solo a scopo illustrativo  
NOTE: the figure is merely exemplary

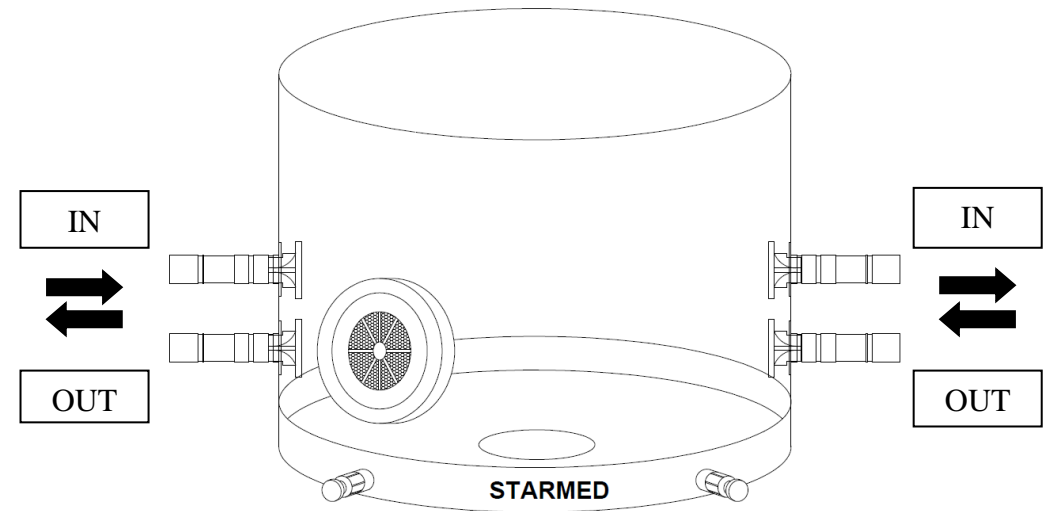
YP0062/01 20.12.2019

**STARMed**

 Intersurgical SpA – Via Morandi, 12 - 41037 Mirandola (MO) Italy  
Tel. +39 0535 610131 - Fax +39 0535 610310

**it** CASCHI CON ACCESSI MULTIPLI    **en** HELMETS WITH MULTI-CONNECTORS

Istruzioni per l'uso / Instructions for use



NOTA: immagine solo a scopo illustrativo  
NOTE: the figure is merely exemplary

YP0062/01 20.12.2019